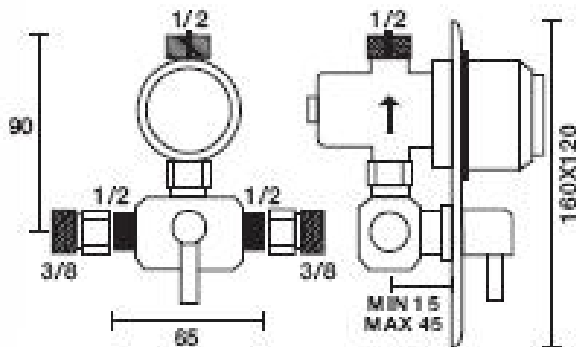




Hamburg - Germany

Temporized concealed bath mixer Art. Nr. 50053

Self closing built-in bath mixer with non-return valves. The body is made of chrome plated cast brass. Build-in hot/cold water mixing valve. Standard **vandal proof** cartridge with **prefixed** time from 3 to 25 seconds (± 20 seconds). With this cartridge the time is pre-regulated as customers request with a delay time.



	1	2	3	4
BAR	L/M	L/M	L/M	L/M
0.5	13,4	12.0	9.1	3.3
1	18,5	16.1	11.5	4.0
1.5	23,0	21.3	14.7	4.8
2	25,8	23.8	18.3	5.1
3	34,6	31.0	23.0	6,2

MINIMUM WORKING PRESSURE 0.1 BAR MAXIMUM WORKING PRESSURE 6 BAR.

ATTENTION:

- + If the water pressure is above 4 bar, a pressure reducer is always recommended.
- + the good working of the mixer is guaranteed when the water is without impurity. It is important to clean the supply pipes and to install a filter.
- + For changing the water flow, take off the cartridge from the body using a key Nr. 24, then you have to turn cup (F) on the crown ring (E), choosing flow requested from position 1 (Full Open) to position 4 (Full Closed). Tightening torque of cartridge must be 12 Nm.

CHOICE OF FLOW DELAYS

- A approx 3 sec.
- B approx 4/6 sec.
- C approx 8/12 sec.
- D approx 12/16 sec.
- E approx 15/25 sec. standard or adjustable

