

---

## Art.50027

Self-closing basin tap

### Characteristics:

Standard flow at 3 bar:9,5 L/min  
Flow rate with adjuster: 6 L/min, 5 L/min, 8 L/min  
Pressure: (0,5 – 6) bar  
Temperature: Max 80°C  
Standard closing time: 8" / 12"  
Temperature Selection  
NO water hammers



### Materials:

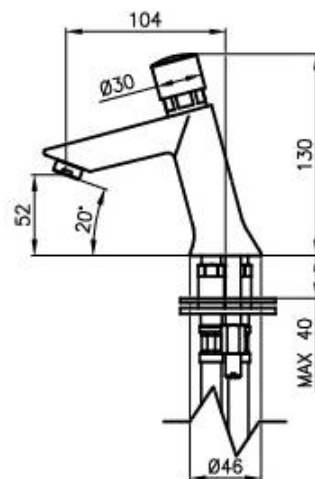
- \* Body in chromed brass conform to EN 1982, EN 12164, EN 12165 standards
- \* Push button Ø30 in chromed brass conform to EN 1982, EN 12164, EN 12165 standards
- \* Lever in chromed brass conform to EN 1982, EN 12164, EN 12165 standards

### Reference standard:

EN 816:2017

### Features:

- \* Timing in conformity with EN 816
- \* Treatment of the nickel-chrome surface conformity with EN 248 standard
- \* Resistance to saline aggression 200h conformity to EN ISO 9227 standard



### Accessories / component supplied

Fixing kit  
Valve PN10  
Gasket

### Options:

Regulation flow  
Regulation Time  
Anti-vandal

Soft touch operation

### Note:

- \* Use a filter upstream of the system
- \* Cleaning only with water and soft cloth avoiding acids and abrasives



Hamburg - Germany