

Art.50022

Self-closing basin tap

Characteristic:

Standard flow at 3 bar: 10.5 L/min.
Flow rate with adjuster: 6 L/min, 5 L/min, 8 L/min.
Pressure: (0.5 – 6) bar
Temperature: Max 80°
Standard closing time: 8" / 12"
NO water hammers

Materials:

- * Body in chromed brass plated brass conform to EN 1982, EN 12164, EN 12165 standards
- * Cover button in chromed brass conform to EN 1982, EN 12164, EN 12165 standards
- * Aerator cache 16.5x1

Reference standard:

EN 816:2017

Features:

- * Timing in conformity with EN 816
- * Treatment of the nickel-chrome surface conformity with EN 248 standard
- * Resistance to saline aggression 200h conformity to EN ISO 9227 standard

Accessories/ components supplied:

Lockout with flange PVC 1/2"
Sponge washer 40x21x2.5
Key for aerator cache

Accessories/ components supplied:

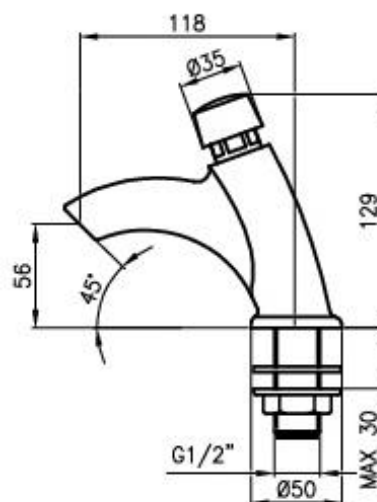
Lockout with flange 1/2" in chromed brass

Options:

Regulation flow
Anti - vandal
Nickel Free
Soft touch operation
Lever command

Note:

- * Use a filter upstream of the system
- * Cleaning only with water and soft cloth avoiding acids and abrasives



Water saving up to 85%



Hamburg - Germany