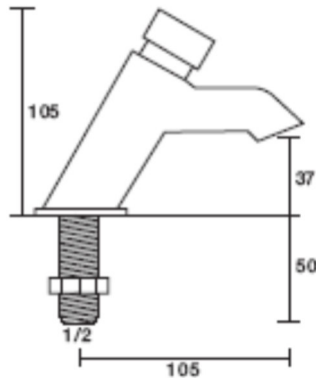




Hamburg - Germany

Temporized basin mounted Tap Art. Nr. 50015N

Self closing basin mounted tap with non-return valves. The body is made of chrome plated cast brass. Easy to install and specially designed to allow simple maintenance. **standard vandal proof** cartridge with **prefixed** time from 5 to 25 seconds (± 10 seconds). With this cartridge the time is pre-regulated as customers request with a delay time.



	1	2	3	4
BAR	L/M	L/M	L/M	L/M
0.5	11,3	10.0	7.2	1,8
1	16.1	13.8	9.7	2.2
1.5	20.9	19.1	12.6	2.9
2	23.4	21.6	16.2	3.2
3	32.1	28.5	21.0	4,4

MINIMUM WORKING PRESSURE 0.1 BAR MAXIMUM WORKING PRESSURE 3 BAR.

ATTENTION:

- + If the water pressure is above 4 bar, a pressure reducer is always recommended.
- + the good working of the tap is guaranteed when the water is without impurity. It is important to clean the supply pipes and to install a filter.
- + For changing the water flow, take off the cartridge from the body using a key Nr. 24, then you have to turn cup (F) on the crown ring (E), choosing flow requested from position 1 (Full Open) to position 4 (Full Closed). Tightening torque of cartridge must be 12 Nm.

CHOICE OF FLOW DELAYS

- A approx 3 sec.
- B approx 4/6 sec.
- C approx 8/12 sec.
- D approx 12/16 sec.
- E approx 15/25 sec. standard or adjustable

