



Hamburg - Germany





Rotation wheel
Manual Mode



Intelligent Sensor
Automatic Mode



**Adjust The Water
Volume in
Automatic Mode**

**Hot and Cold Mixer,
Adjust The Temperature
by Handle**



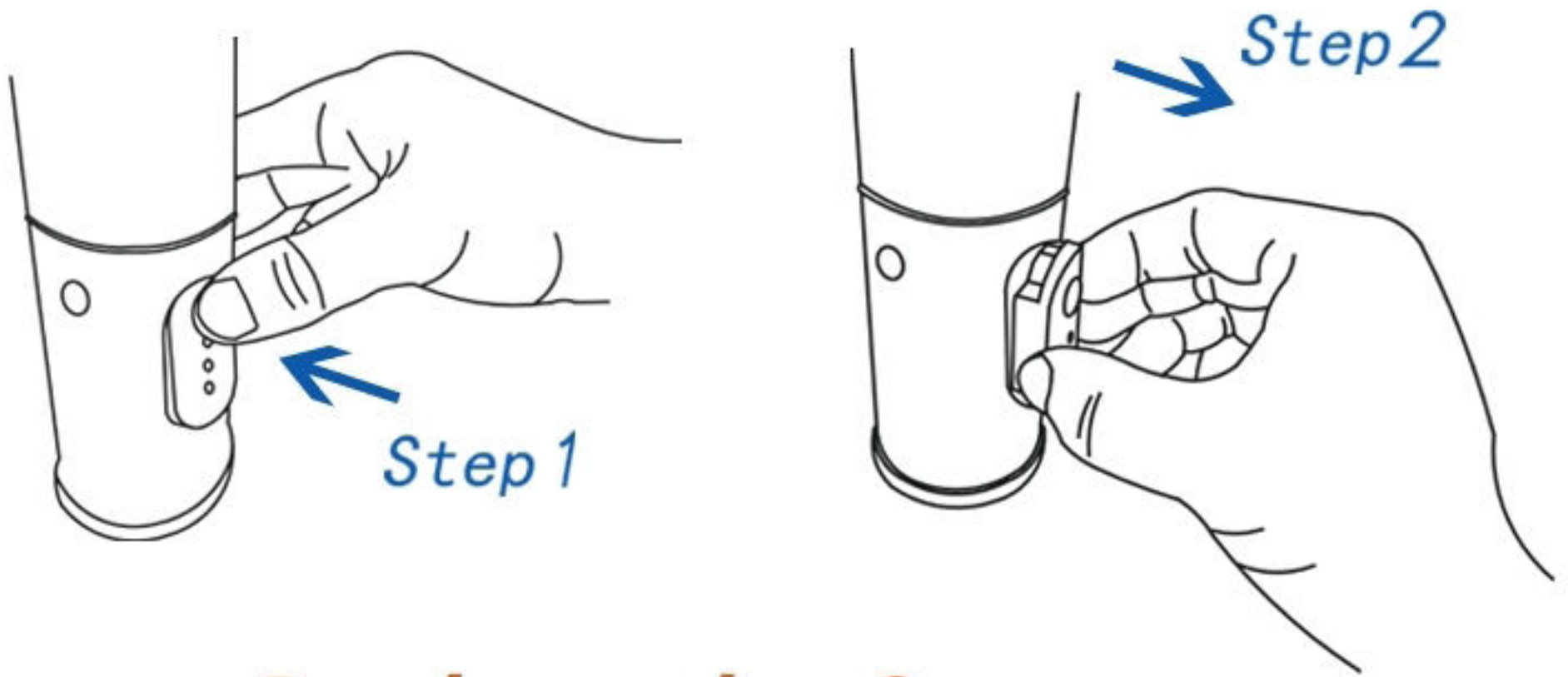


**Easy Maintenance
It Can Be
taken Apart**

**Touch Switch
Mode Adjusted**

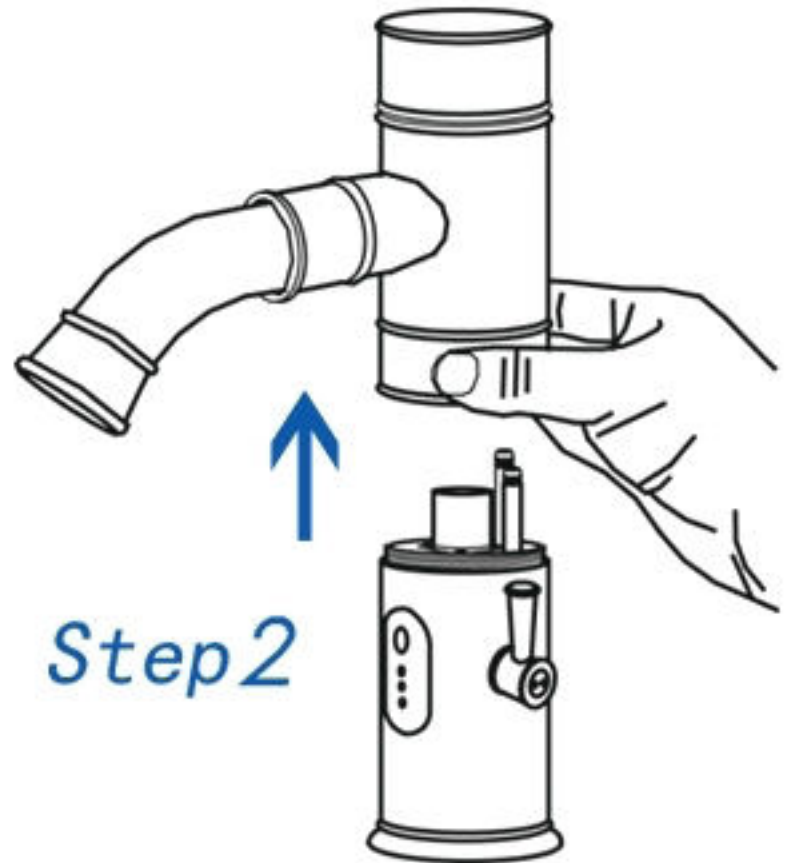
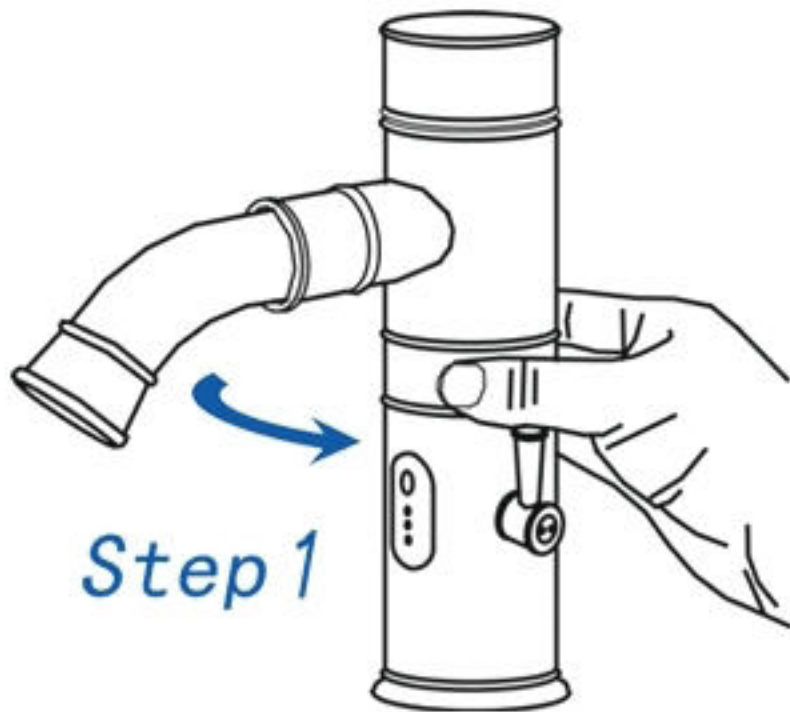
Induction Distance Adjustable

- **Manual adjustment**
- **Automatic adjustment**
- **Touch function switch**



Replace the Sensors

Easy Maintenance



Replace the Solenoid Valve

Easy Maintenance



**Superior Quality
NEOPEAL Aerator**



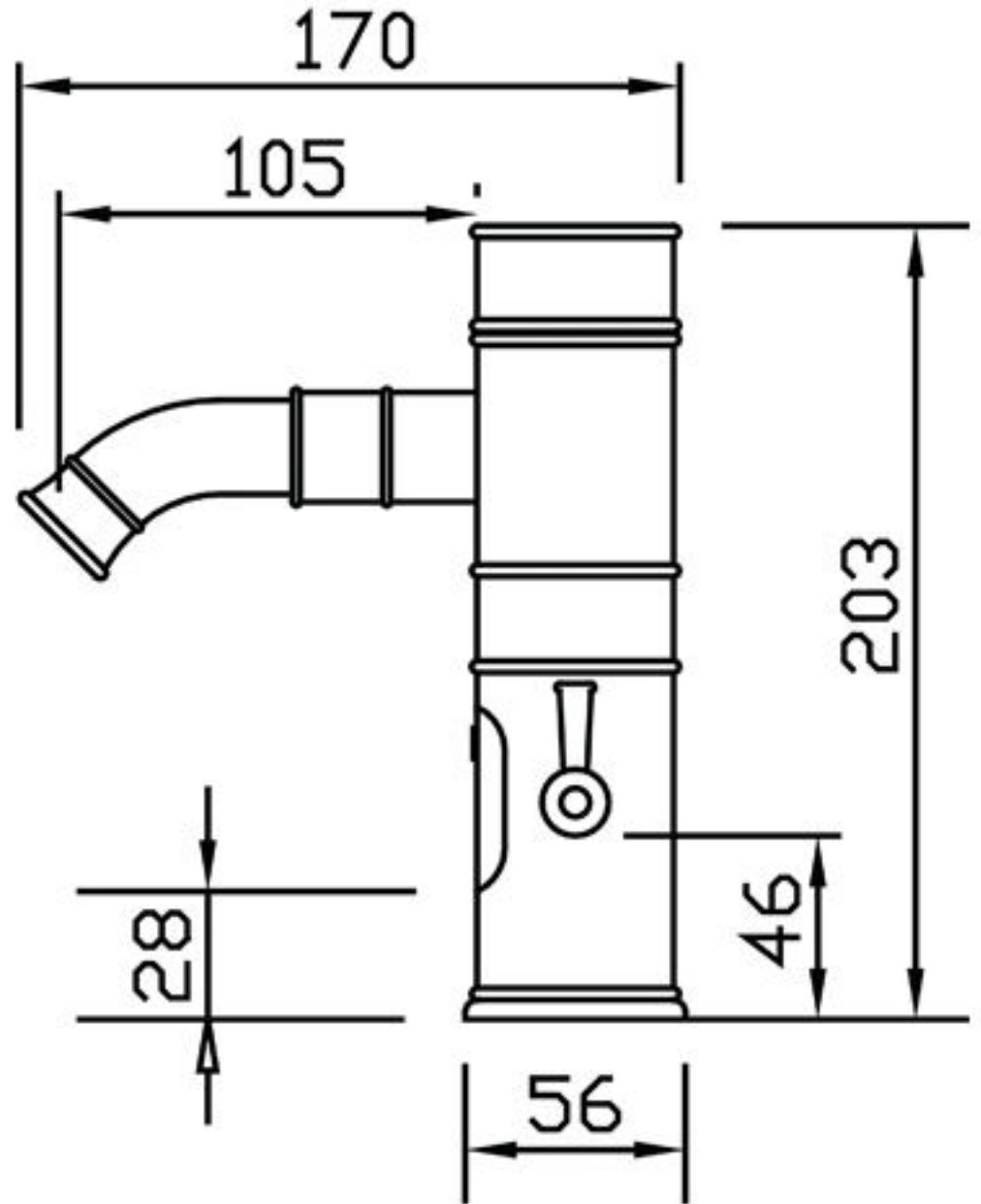
**High Quality
Brass Thread Tube**

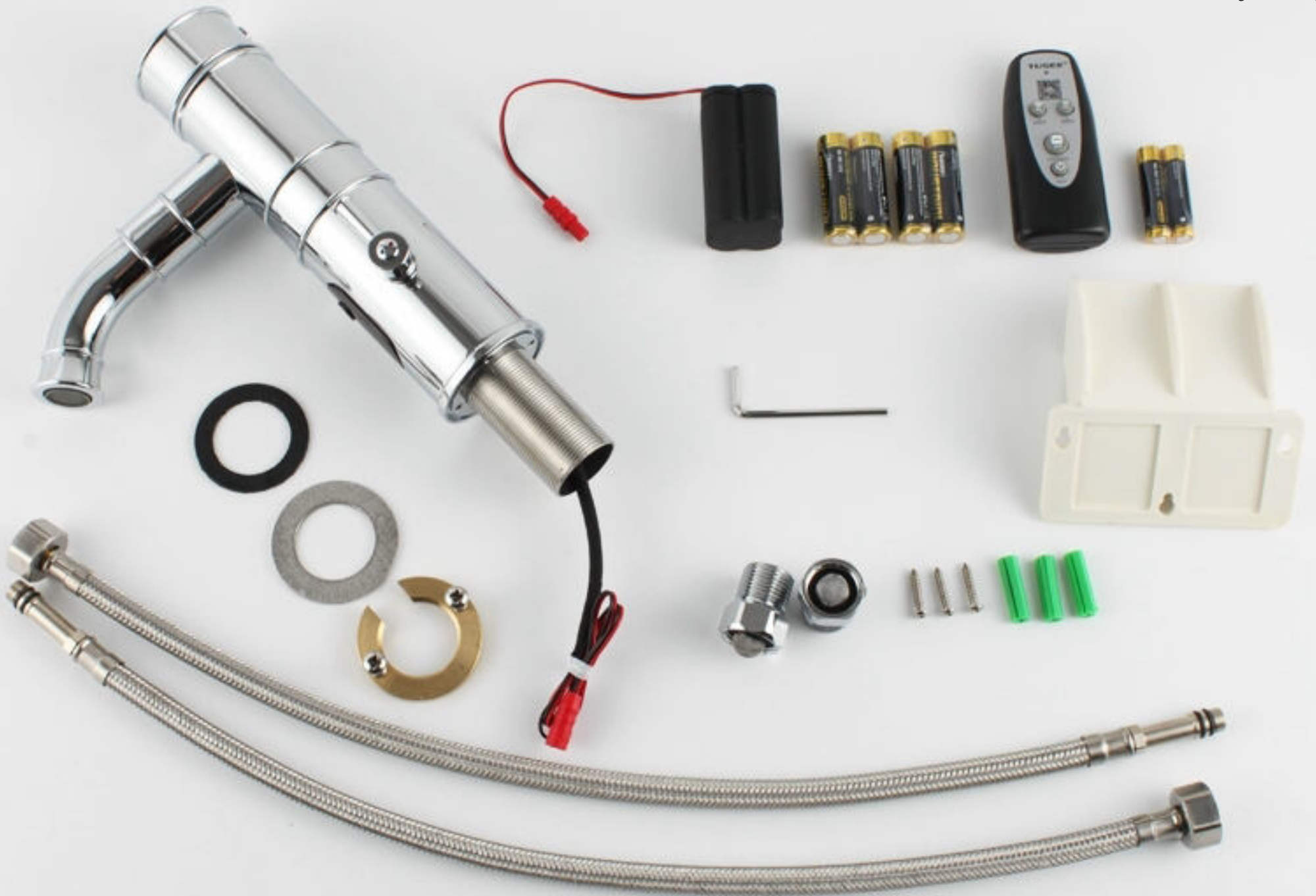


**High Quality One-way
Check Valve**



**High-quality 304 Stainless
Steel Assembly Hose**







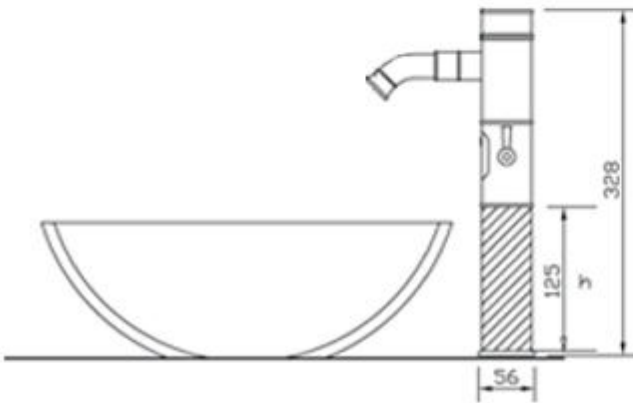
125mm



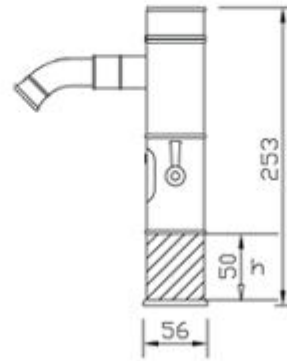
50mm



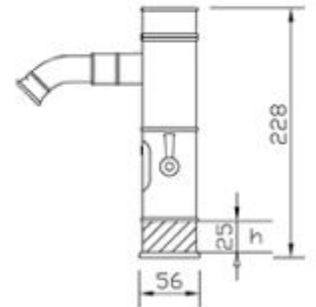
25mm



125mm



50mm



25mm



Art.5038085



Art.5038085 B



Art.5038085 Z