



Hamburg - Germany

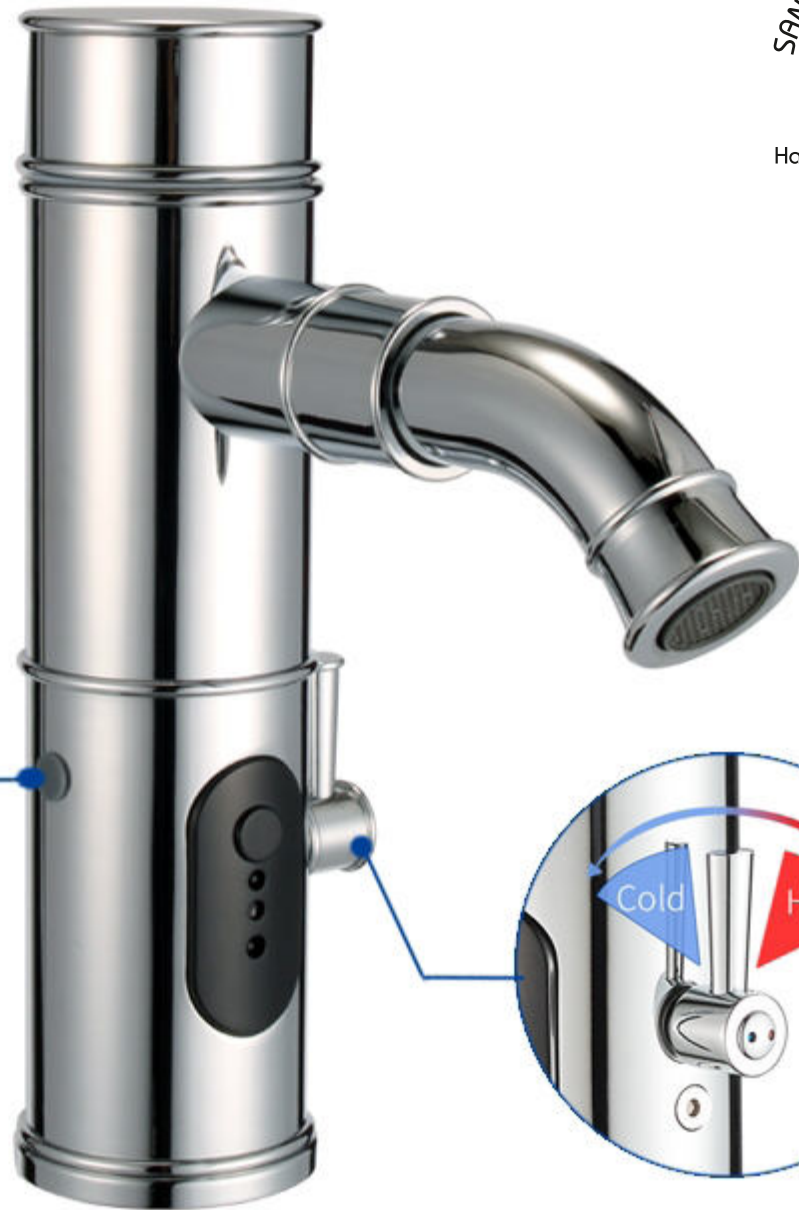




**Rotation wheel  
Manual Mode**



**Intelligent Sensor  
Automatic Mode**



**Adjust The Water  
Volume in  
Automatic Mode**

**Hot and Cold Mixer,  
Adjust The Temperature  
by Handle**



**Rotatable 360°  
Outlet Pipe**



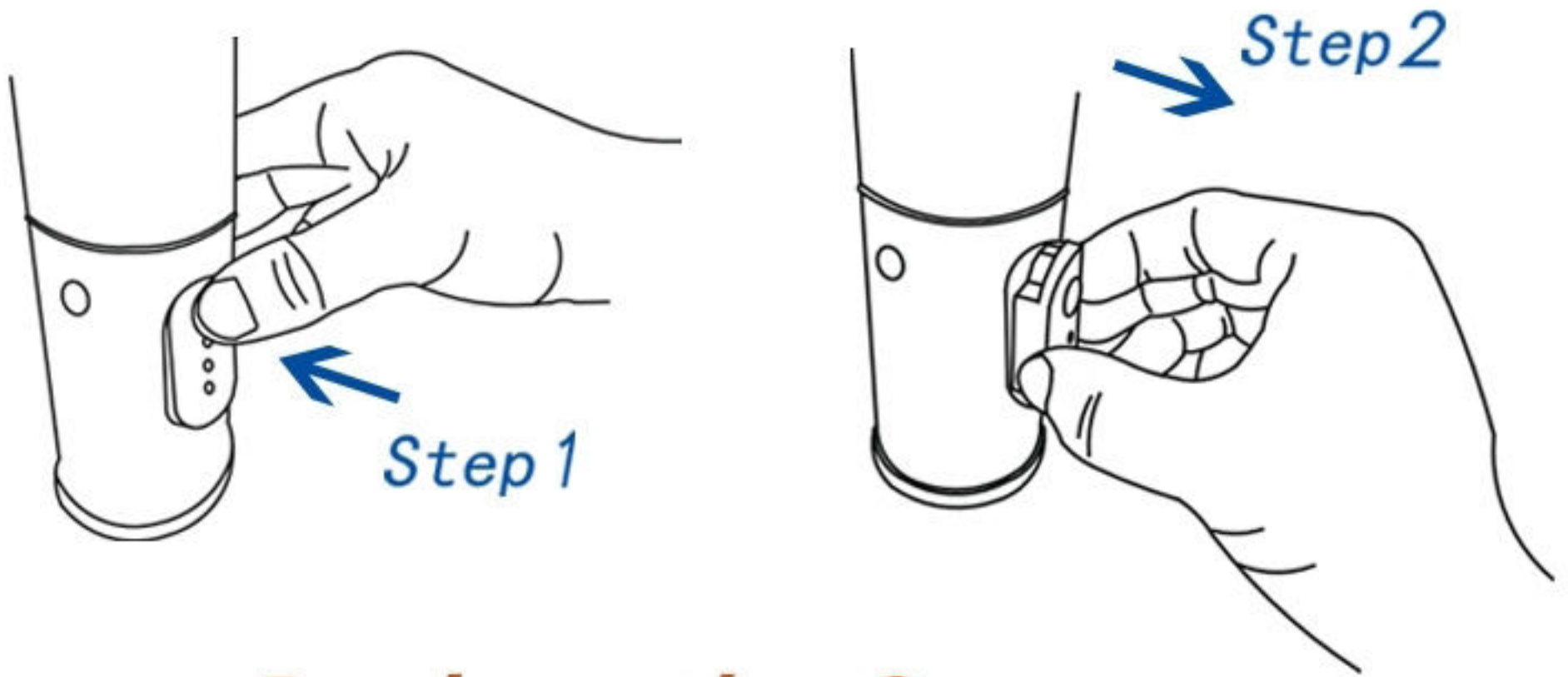
**Touch Switch  
Mode Adjusted**



**Induction Distance Adjustable**

- **Manual adjustment**
- **Automatic adjustment**
- **Touch function switch**





***Replace the Sensors***

***Easy Maintenance***



**Superior Quality  
NEOPEAL Aerator**



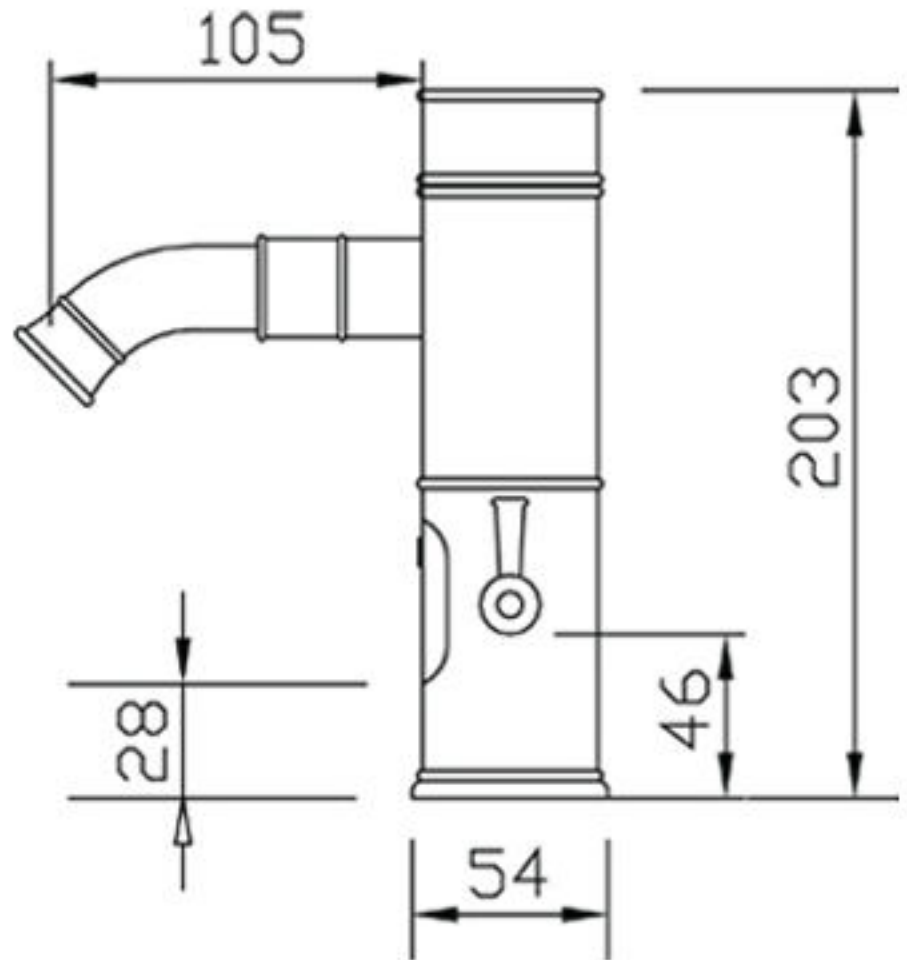
**High Quality  
Brass Thread Tube**



**High Quality One-way  
Check Valve**



**High-quality 304 Stainless  
Steel Assembly Hose**









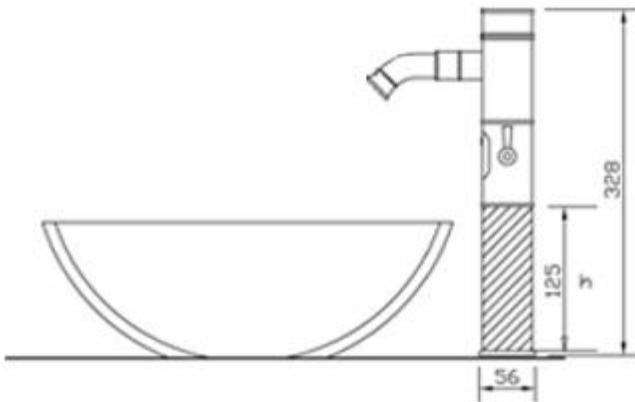
125mm



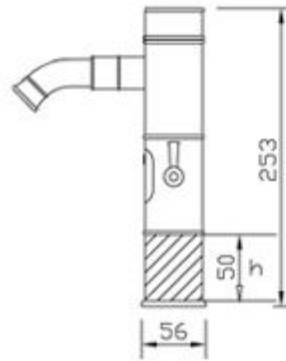
50mm



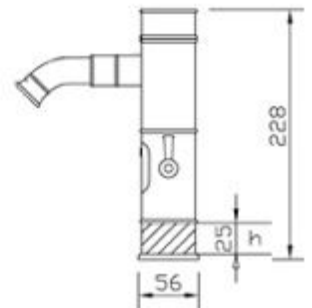
25mm



125mm



50mm



25mm



**Art.5038083**



**Art.5038083 B**



Art.5038083 Z



**Art.5083038 S**