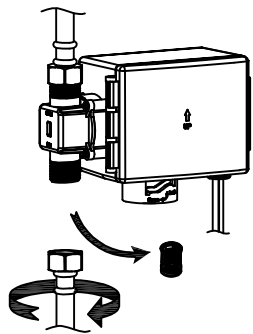
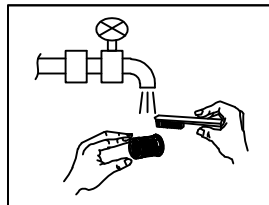


# Troubleshooting

Description	Cause	Solution
Spout does not operate.	Sensor cable not connected.	Connect sensor cable.
	Battery is low.	Replace batteries.
	The surface of the sensor is dirty.	Clean the surface of the sensor.
Sensor light not working.	Sensor light faulty.	Change the sensor assembly.
	Batteries are exhausted.	Replace batteries.
Short cycles of batteries.	Incorrect batteries fitted.	Replace batteries.
Infrared sensor flickering.	Batteries running low.	Replace batteries.
No power to the spout.	Mains power cable not connected.	Connect power cable.
	Mains power supply failed and no batteries fitted or batteries low.	Check the power supply. Insert/change batteries.
Spout runs unexpectedly.	Object in sensing range.	Ensure the sensing range is clear.
Water flow too high.	Inlet water supply pressure too high.	Adjust inlet water pressure accordingly.
Water flow too low.	Inlet water supply pressure too low.	Adjust inlet water pressure accordingly.
	Inlet filter is partially blocked.	Clean inlet filter.
	Angle valve is not fully opened.	Open angle valve fully.
Water will not turn off.	Sensor window is dirty.	Clean sensor window.
	Object in sensing range.	Ensure the sensing range is clear.
	Inlet filter is partially blocked.	Clean inlet filter.
	If water continues to run after attempting above turn off the angle valve.	

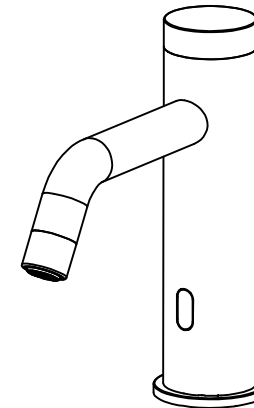


Clean the filter



# Installation

## Automatic Faucet



Please read these instructions completely before installation, and keep for further reference.

# Specifications

Model no.	Art. 503028
Description	Automatic faucet
Power supply	AC: 100V-240V ; 50/60Hz DC: 6V (4 x AA alkaline batteries - not supplied )
Power consumption	Active mode $\leq 3.5W$ Static mode $\leq 0.8mW$
Sensing range	10-30 cm
Self-close override time	30 seconds (Automatic faucet)
Inlet/outlet connection	1/2 "
Water pressure	0.05-0.8 Mpa
Water temperature	5-45?
Ambient temperature	1-55?
Ambient humidity	Max. 90RH
Low voltage reminder	The LED light flashes 2 times at an interval of 0.5 seconds when the sensor is operating

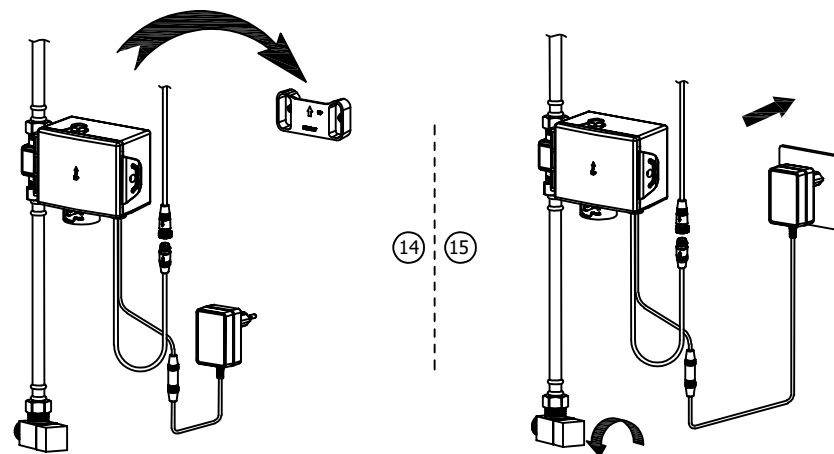
## Note:

- 1, Please do not install the products opposite or near any reflective surfaces, as this may lead to false or permanent activation.
- 2, Before connecting the water supply, flush the water supply pipes thoroughly to ensure removal of debris, then turn off the water supply.
- 3, Before drilling into walls, please check for any hidden cables and pipes before drilling holes in the wall.

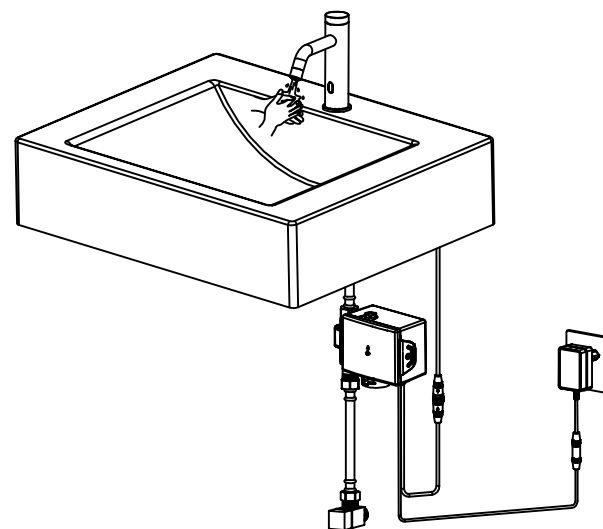
# Installation

14, Place the control box into the wall bracket. The control box has a cut out section which the wall bracket slots into.

15, Plug the AC transformer into the socket, and turn on the water supply.

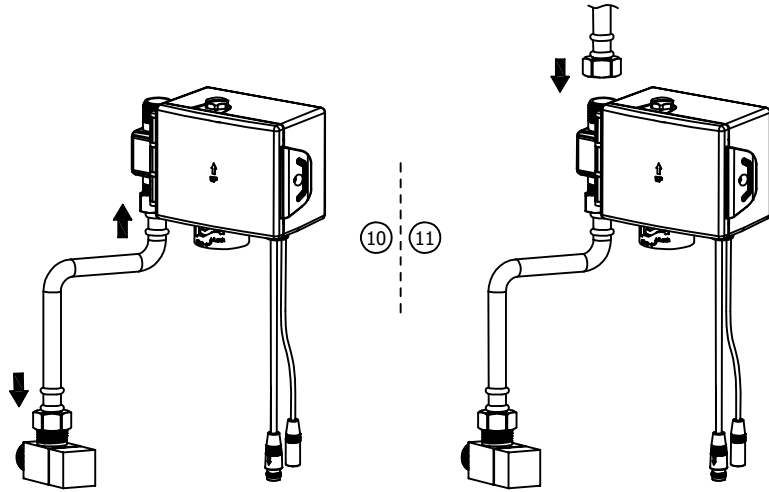


16, Test the faucet ensuring there is no water leaking from the connections.

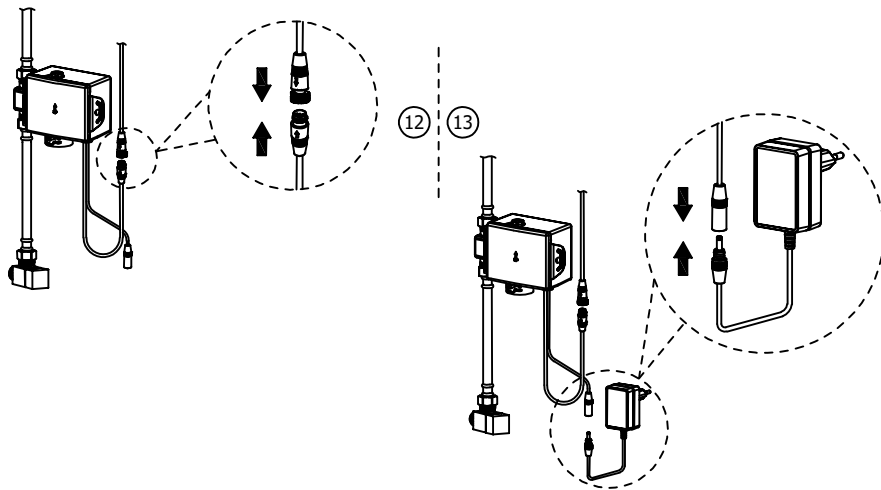


# Installation

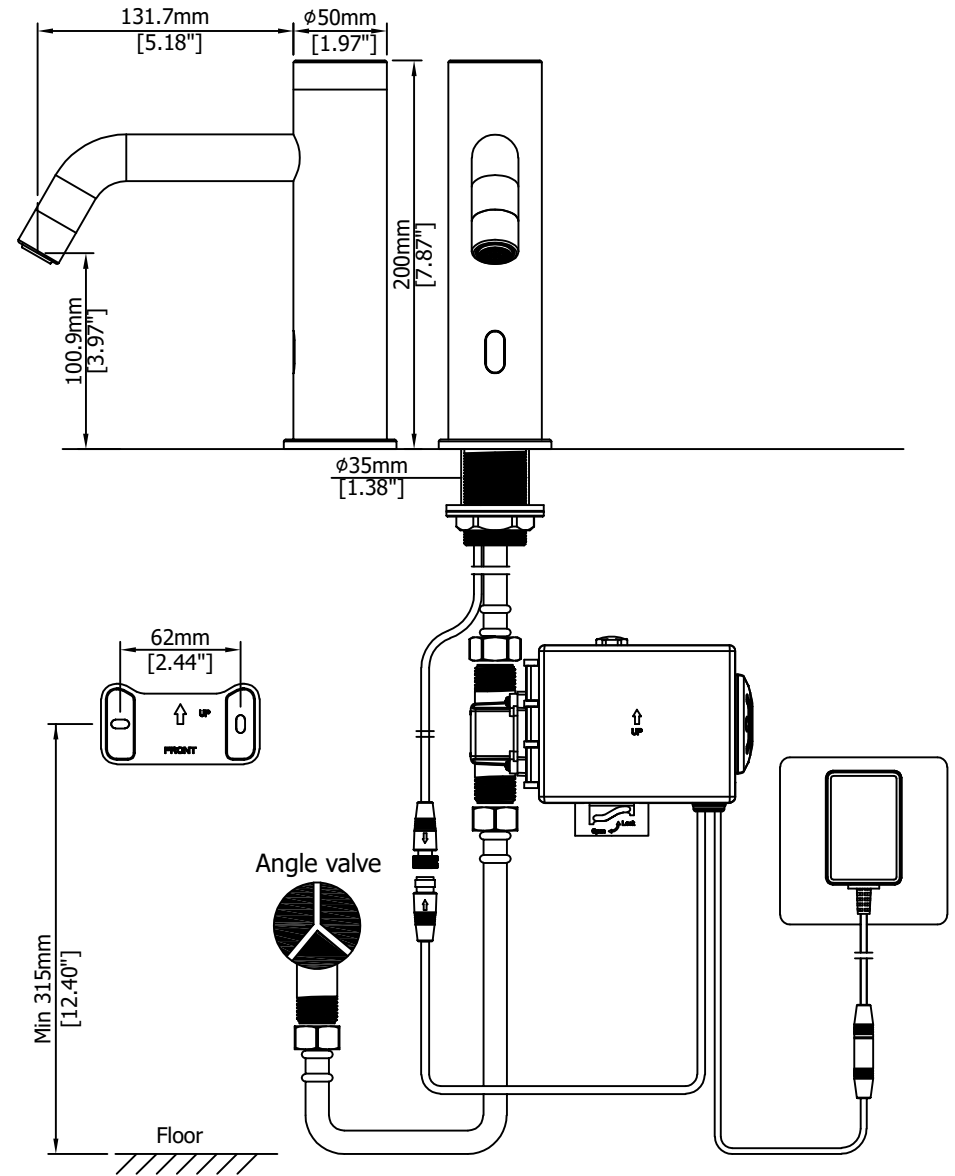
- 10, Connect the flexible hose from the angle valve to the inlet connection marked 'Inlet' on the control box, ensuring it is tightened fully.  
 11, Connect the flexible hose from the spout assembly to the outlet connection marked 'Outlet' on the control box, ensuring it is tightened fully.



- 12, Connect the sensor cable from the spout assembly to the sensor cable on the control box,  
 13, Connect the power cable from transformer to the power cable on the control box.



# Rough-in / Dimensions

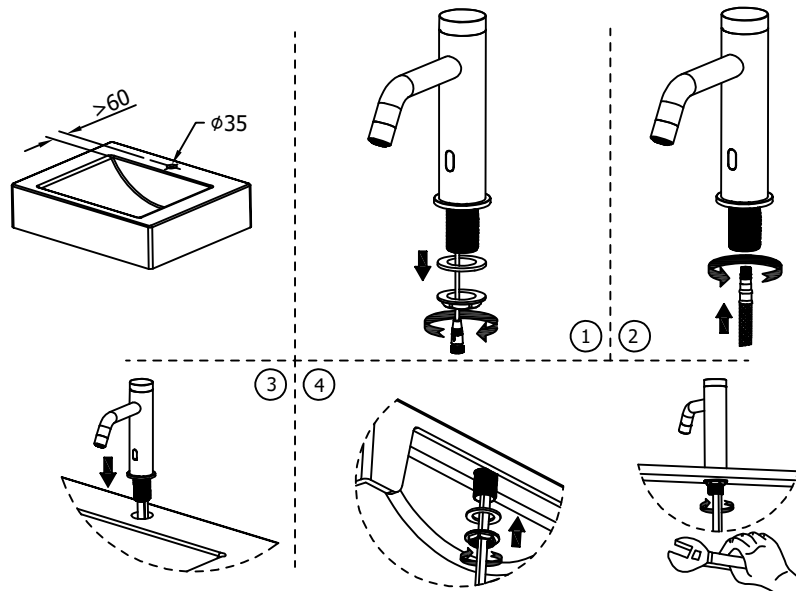


### Part list:

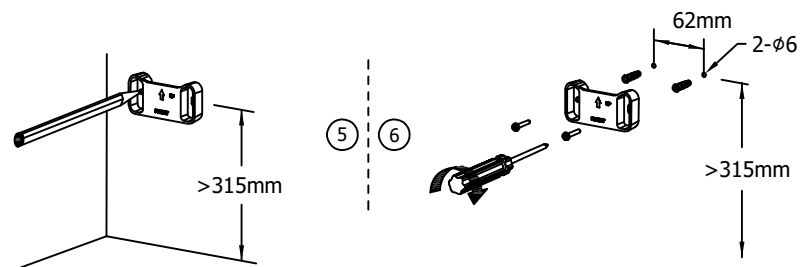
- |                                   |                       |                                    |
|-----------------------------------|-----------------------|------------------------------------|
| 1. Spout assembly x 1 pc          | 2. Control box x 1 pc | 3. Anchor x 2 pcs                  |
| 4. Screw x 2 pcs                  | 5. Bracket x 1 pc     | 6. Battery case x 1 pc (DC, AC+DC) |
| 7. Transformer x 1 pc (AC, AC+DC) |                       |                                    |

# Installation

- 1, Screw off the nut, and remove the gasket from the spout assembly.
- 2, Screw the flexible hose into the bottom of the fixing rod, ensuring it is tighten fully by hand only.
- 3, Fit the spout assembly to the basin ensuring the sensor cable and flexible hose are threaded through the hole in the basin.
- 4, From the underside the basin, fit the gasket onto the thread followed by the nut, and tighten the nut using a suitable spanner.

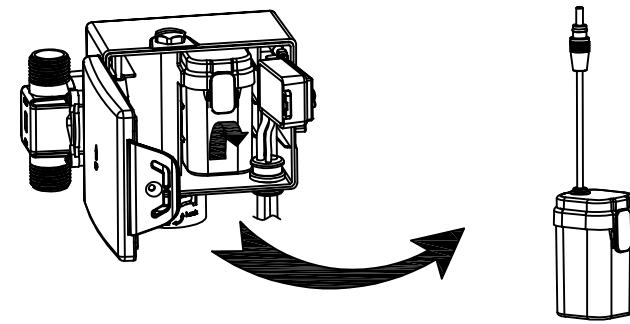


- 5, Position the bracket onto the wall surface and mark the position of the fixing holes, then remove the bracket and drill holes for the wall plugs supplied.
- 6, Fit the wall plugs and position the bracket into position and secure using the screws provided.

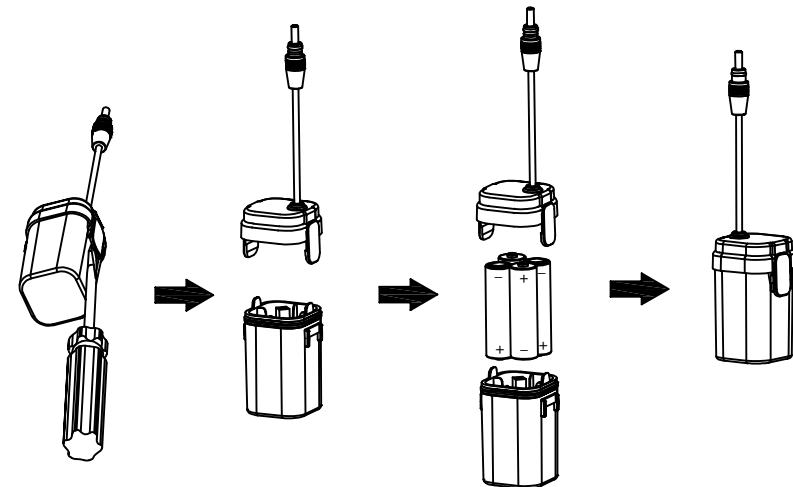


# Installation

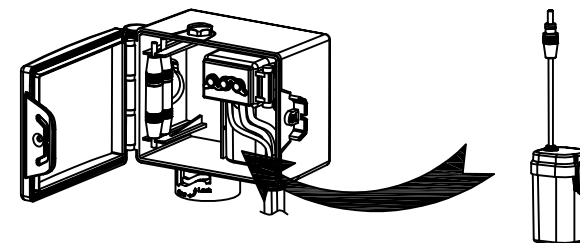
- 7, Open the cover of the control box, and pull out the battery case.

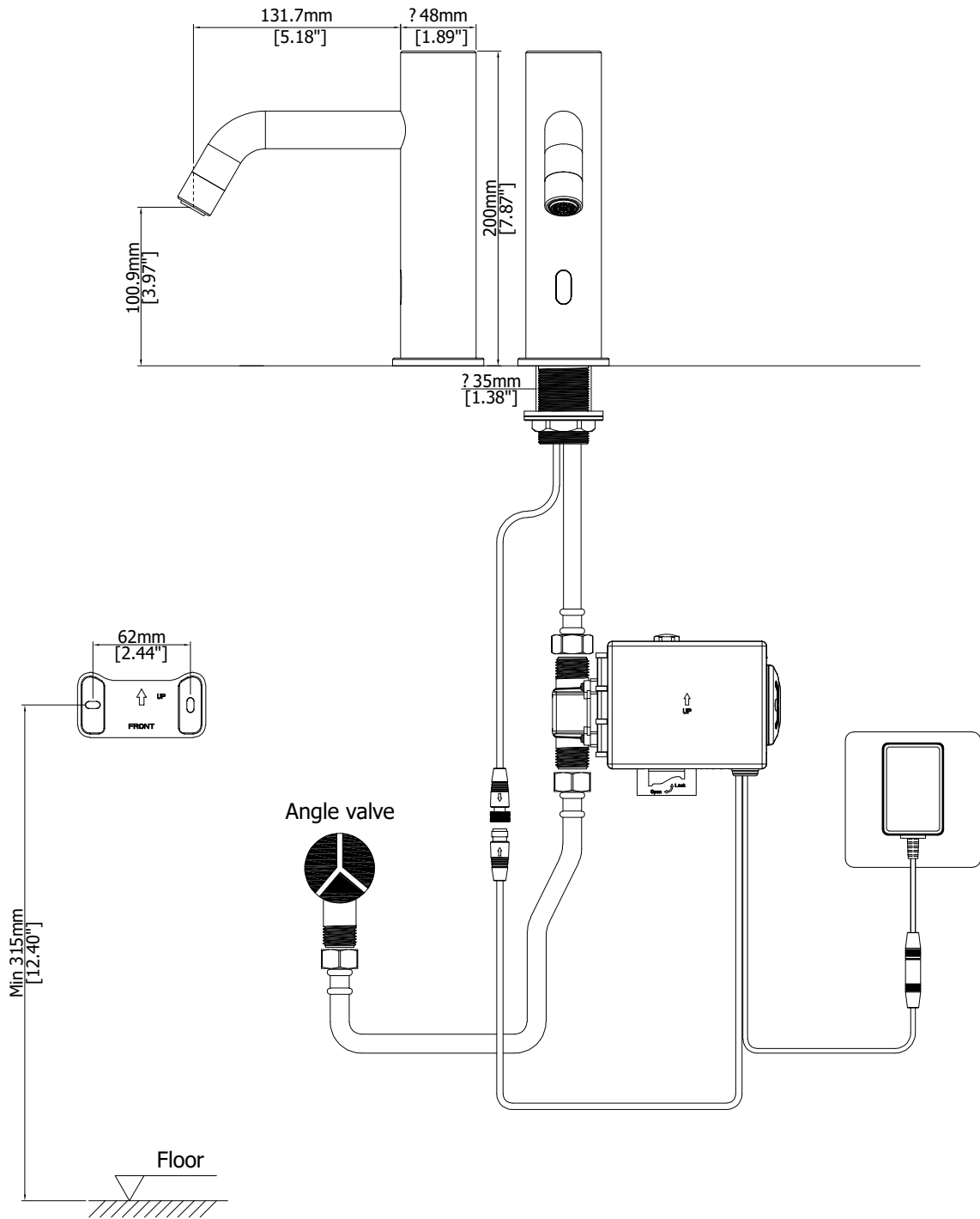


- 8, Remove the lid of the battery case, and insert the 4 x AA batteries into the battery case ensuring they are inserted the correct way.



- 9, Insert the battery case back into the the control box, and replace the cover of the control box.





					PRODUCT NAME	DWG NO.		
					AUTOMATIC FAUCET	MODEL NO.	Art. 503028	
						PROJECT	UNIT	SCALE
REV	MARK	DESCRIPTION	BY	DATE				mm/[inch]
		DESIGNED			AC+DC, DC	CUSTOMER CODE		
		DRAWN			almanit sanitary gmbh, Hamburg - Germany			
		CHECKED						
		APPROVED						

