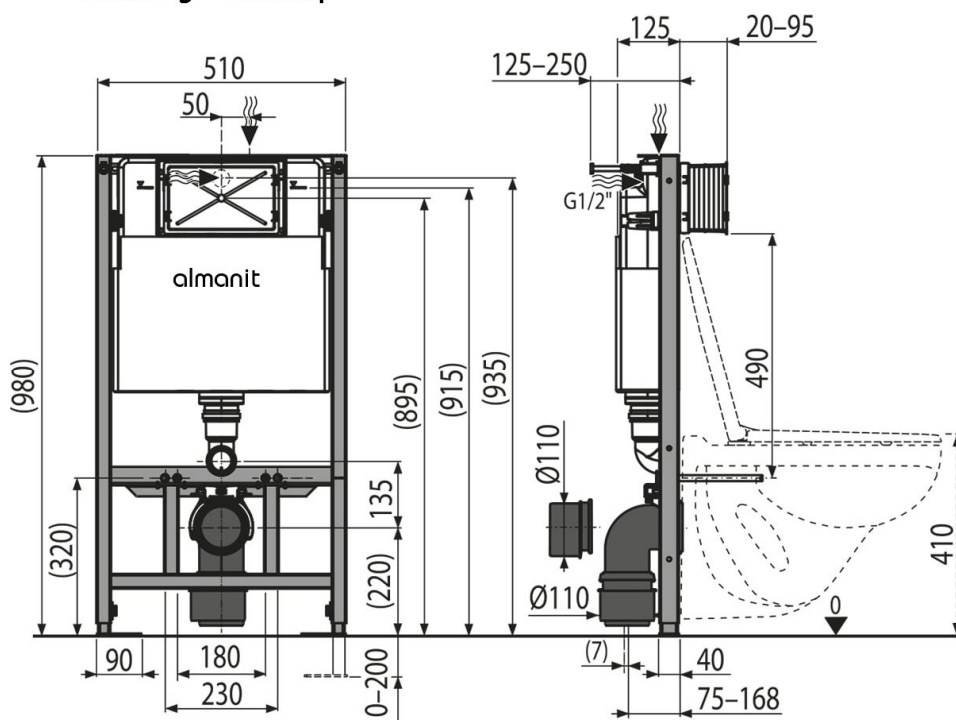




Hamburg - Germany

Art. Nr. 60506



Wall Concealed WC Cistern - Dry Buld-up / Plasterboard

- + For wall-hung WC
- + For mounting in front of a support wall or in to a plasterboard construction
- + For floor thickness 0–200 mm
- + For installation of wall-hung WC pans with a connecting pitch of 180 mm or 230 mm
- + Adjustable anchor feet and a spring-lock system, with a range of 0–200 mm
- + Sliding rail holder for the waste connector can be set to eight positions between 0–93 mm
- + The frame allows the anchoring to a separate sufficiently strong plasterboard partition, in front of the bearing wall
- + Cistern hinges made of two-component material insulate the transmission of vibrations from buildings
- + Possibility of tilting the cistern for easy installation in wooden construction buildings or mobile cells
- + Compatible with all „almanit“ flush plates
- + Water supply from the rear/top
- + The cistern is made of one piece, thus ensuring 100% impermeability
- + The service opening cover simplifies assembly and prevents the penetration of moisture and impurities
- + Installation depth adjustable from 20–95 mm / Installation depth 125 mm
- + Frame material: powder-coated metal

Water connection from the back or top via mounting holes	G1/2 "
Functional range of water pressure	0,05 – 1,6 MPa
Recommended range of water pressure	0,3 – 0,5 MPa
Big flush	6 – 9 l
Small flush	2,5 – 3,5 l
The default setting of large flush	6 l
The default setting of small flush	3 l
Hygienic reserve	3 l
Water volume in the cistern	9 l
Load test	400 kg